



Supplied with*
Calibration certificate

Vane probe thermo-anemometer

LV 101 - LV 107 - LV 110

New
CE



Functions

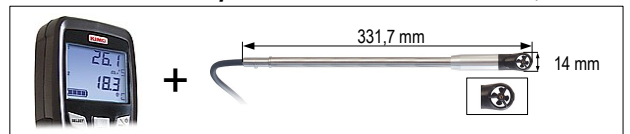
- Air velocity and ambient temperature
- Selection of units
- HOLD function
- Minimum and maximum values
- Automatic average
- Airflow calculation
- Airflow calculation with cone
- Adjustable automatic shut-off
- Adjustable backlight
- Detection of flow direction (LV107 - LV 110)

Technical features

Measuring elements.....	Vane anemometer : LV101 : Proximity sensor LV107/110 : Hall effect sensor Ambient temperature : Pt100 class A
Display.....	2 lines, LCD technology. Sizes 50 x 34.9 mm. 1 line of 5 digits with 7 segments (value) 1 line of 5 digits with 16 segments (unit)
Housing.....	Shock-proof made of ABS, IP54 protection
Keypad.....	Metal-coated with 5 keys
Cable.....	straight, lg. 200 mm (LV101) retractable, length 450 mm, up to 2.4 m when released
Conformity.....	electromagnetical compatibility (NF EN 61326-1 guideline)
Power supply.....	1 alkaline battery 9V 6LR61
Operating temperature (instrument).....	from 0 to 50°C
Operating temperature (probe).....	from -20 to +80°C
Storage temperature.....	from -20 to +80°C
Auto shut-off.....	adjustable from 0 to 120 min
Weight.....	190g
Languages.....	French, english



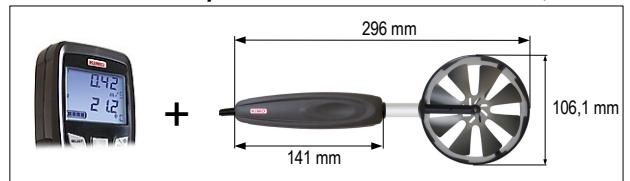
LV 101 - Vane probe Ø 14 mm - Fixed probe



LV 107 - Vane probe Ø 70 mm - Fixed probe



LV 110 - Vane probe Ø 100 mm - Fixed probe



Specifications

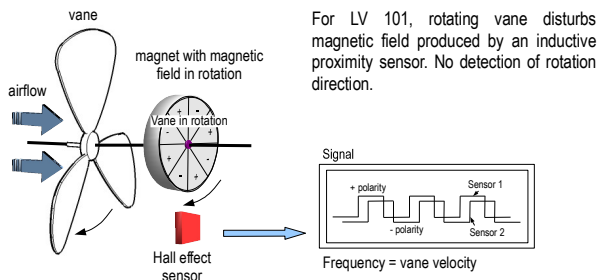
	Measuring units	Measuring ranges	Accuracy*	Resolutions
AIR VELOCITY				
LV 101 Ø 14 mm	m/s, fpm, Km/h	from 0.8 to 3 m/s from 3.1 to 25 m/s	±3% of reading ±0.1m/s ±1% of reading ±0.3m/s	0.1 m/s
LV 107 Ø 70 mm	m/s, fpm, Km/h	from 0.3 to 3 m/s from 3.1 to 35 m/s	±3% of reading ±0.1m/s ±1% of reading ±0.3m/s	0.1 m/s
LV 110 Ø 100 mm	m/s, fpm, Km/h	from 0.25 to 3 m/s from 3.1 to 35 m/s	±3% of reading ±0.1m/s ±1% of reading ±0.3m/s	0.01 m/s 0.1 m/s
AIR FLOW				
All models	m³/h, cfm, l/s, m³/h	from 0 to 99999 m³/h	±3% of reading ±0.03 *area(cm²)	1 m³/h
AMBIENT TEMPERATURE				
All models	°C, °F	from -20 to +80°C	±0.4% of reading ±0.3°C	0.1°C

*All accuracies indicated in this document were stated in laboratory conditions and can be guaranteed for measurements carried out in the same conditions, or carried out with required compensation.

Working principle

Anemometer : Hall effect sensor (LV 107, LV 110)

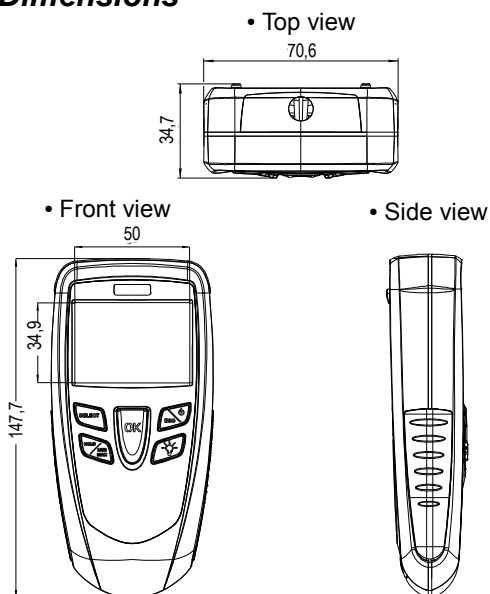
Rotation of the shaft of the vane powers a circular magnet of 8 poles. A dual Hall effect sensor, placed next to the magnet senses the signals of magnetic field polarity transition. The sensor signal is converted to electrical frequency and is proportional to the air velocity. Signal chronology allows the detection of rotation direction.



Thermometer : Pt100 probe

Pt100 is a resistance with a positive temperature coefficient which varies according to the temperature. The higher the temperature is, the more the value of the resistance increases. ie : for 0°C ≈ 100 Ω - for 100°C ≈ 138,5 Ω.

Dimensions



Supplied with ...



● Supplied with ○ Option

DESCRIPTION	LV 101	LV 107	LV 110
Ø 14 mm vane probe	●		
Ø 70 mm vane probe		●	
Ø 100 mm vane probe			●
Air flow cone K25			○
Air flow cone K35-75-120 or 150	○		
Calibration certificate*	●	●	●
Transport case	●	●	●

*except class 100S

Accessories (See related datasheet)

RTS	CE 100
Telescopic extension (for probe), 1m long and bent at 90°	Protective cover with magnet and holding system
RD 300	K 25 - 35 - 75 - 120 - 150
To be clipped extension for Ø14 mm vane (RD300), Ø 10 mm. length 300 mm	Air flow cone (See related datasheet)

Warranty period

Instruments have 1-year guarantee for any manufacturing defect (return to our After-Sales Service required for appraisal).

www.kimo.fr

EXPORT DEPARTMENT

Tel : + 33. 1. 60. 06. 69. 25 - Fax : + 33. 1. 60. 06. 69. 29

e-mail : export@kimo.fr



Distributed by :